

SPEED CONTROLLER

Combined flush or surface mounted, for motors up to 0.5A / 1.0A / 2.0A or 4.0A

Model designation:

MTY-0.5AU / MTY-0.5A
MTY-1.0AU / MTY-1.0A
MTY-2.0AU / MTY-2.0A
MTY-4.0AU



Areas of use:

For manual control of speed and airflow of electric AC induction motors and fans.

Several motors can be connected in parallel as long as the total current does not exceed the current range.

Most suitable for universal motors and permanent-capacitor motors.

To be used with motors suitable for speed control and have over-temperature protection included.

Characteristics:

- **Combined flush- or surface mounting** (MTY-4.0A surface mounting only).
- **High protection class. IP55** when surface mounted, IP44 when flush mounted.
- **Easy adjustable speed 0–99 %**. Start at adjustable minimum speed.
- **Over current and temperature fuses included. Also spare fuse.**
- **Double N-connections for simple mounting, wire protected.**
- **Neglectable hysteresis (7 %).**

Technical data:

Voltage: 220-230V~/50-60Hz

Current ranges / Fuse ceramic:

MTY-0.5A 0.05-0.5A / 500mA

MTY-1.0A 0.1-1.0A / 1.25A

MTY-2.0A 0.3-2.0A / 2.5A

MTY-4.0A 0.4-4.0A / 6.3A

Speed range: 0–99 %

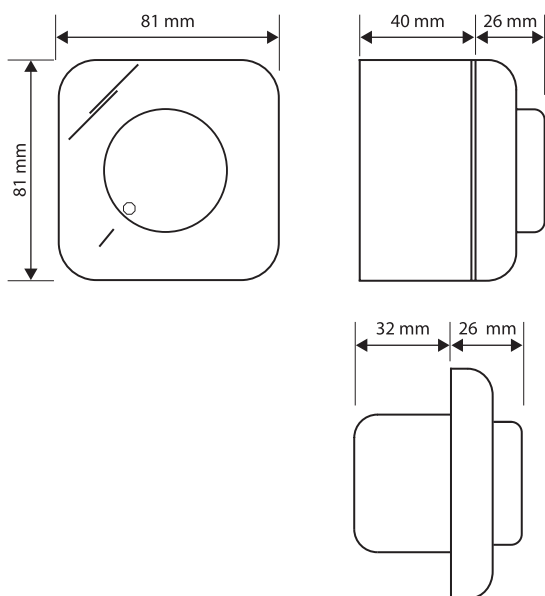
Protection class: IP55/IP 44

Colour: Off white

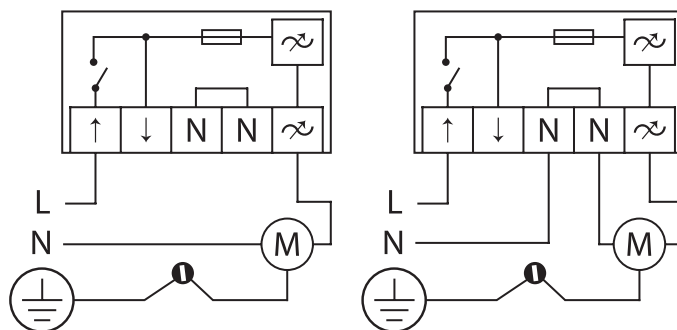
Complies with the RoHS directive

Approvals:

Size mm:



Connections:



LSI

lsi.se